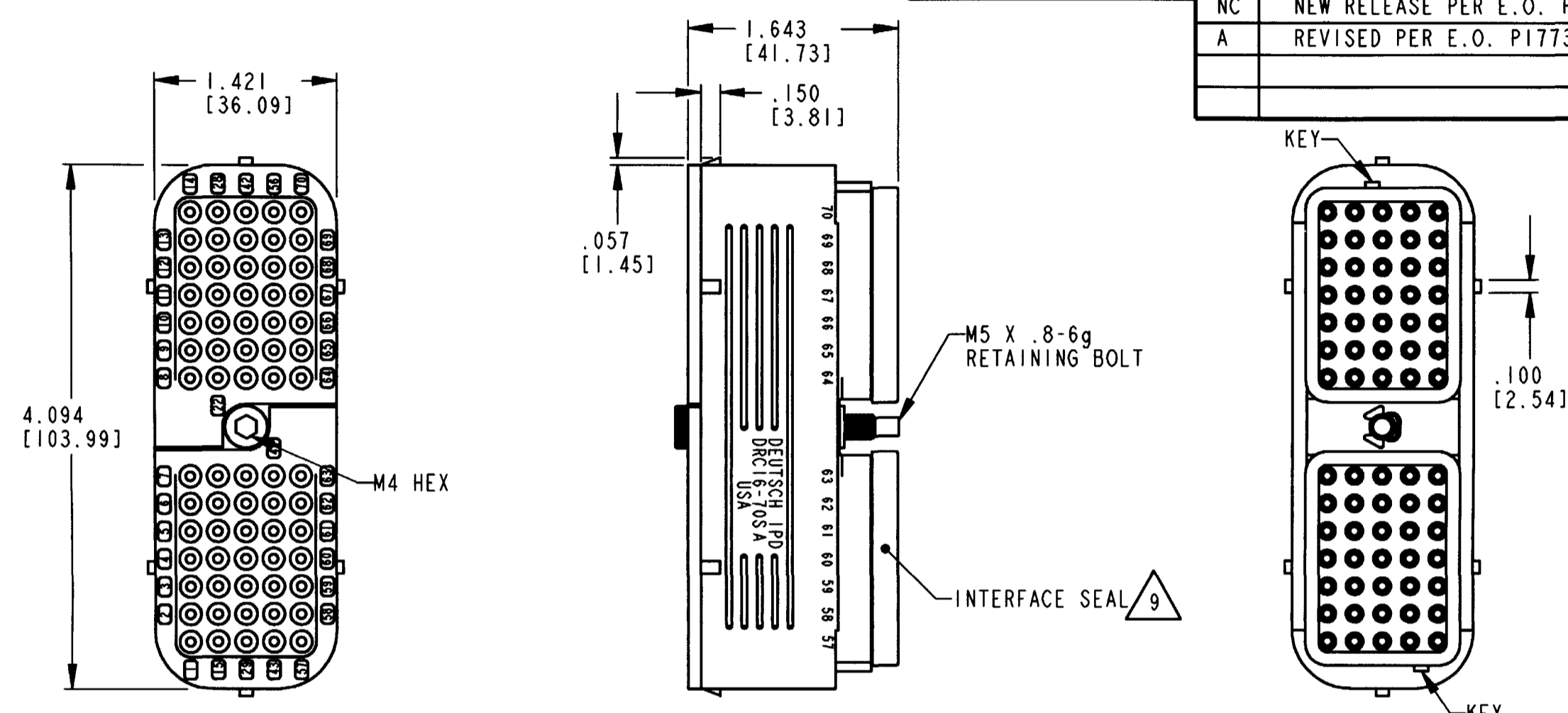


REV
A
DRC16-70S*P013

REVISIONS			
SYM	DESCRIPTION	DATE	APPROVED
NC	NEW RELEASE PER E.O. P15136	11-15-96	RDR
A	REVISED PER E.O. P17733	4-16-02	RDR



8. MATING TORQUE REQUIREMENT: 25-28 IN-LB [2.82-3.13 Nm].
 7. SEE SHEET 2 FOR OTHER KEY ARRANGEMENTS.
 6. MATERIAL- PLUG: PLASTIC; SEAL/GROMMET: RUBBER; RETAINING BOLT: STEEL.
 5. THIS PLUG MATES WITH DRC12-70P*-****; DRC13-70P*-**** AND DRC14-70P*-**** RECEPTACLE. (*=A,B,C,D KEYS; ****=ALL MODIFICATIONS). CONSULT FACTORY FOR MODS.
 4. FOR CONTACTS AND WIRE PERFORMANCE AND APPLICATION CHARACTERISTICS, SEE ENVELOPE DRAWING 0425-015-0000.
 3. PLUG SUPPLIED WITH DUST CAP. (NOT SHOWN).
 2. DIMENSION TOLERANCE: ±.025 [0.64].
 1. DIMENSIONS ARE IN INCHES [mm].
- NOTES: UNLESS OTHERWISE SPECIFIED

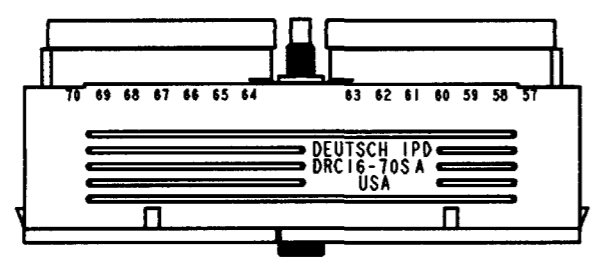
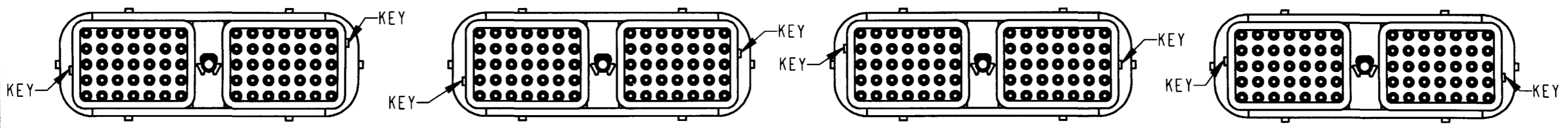
MIN. INSUL. O.D.	MAX. INSUL. O.D.	WIRE RANGE [mm ²] REF ONLY
.100 [2.54]	.134 [3.40]	14-20 AWG [2.0-0.50]

9. PART MODIFICATION: INTERFACE SEALS ARE BONDED TO PLUG HOUSING.

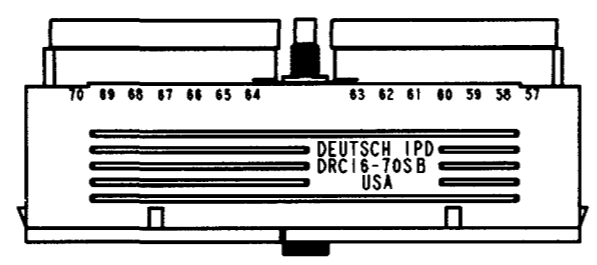
SIGNATURE & DATE		<p>PLUG 70 SIZE 16 KEYS: A,B,C,D COLOR: BLACK DRC SERIES</p> <p>ENVELOPE</p>	CP	MATL. CODE
DR	D. MEYER 04/15/02		<p>The Deutsch Company DEUTSCH I.P.D. 3850 INDUSTRIAL AVE. HEMET, CALIF. 92545</p>	
CHK	<i>[Signature]</i> 4/15/02		<p>B DRC16-70S*P013</p>	
PE	<i>[Signature]</i> 4/15/02		DWG SIZE	CODE 11139
APPD	R. Reed 4/16/02		SHEET 1 OF 2	
SCALE	NONE	WT		

REV A DRC16-70S*P013

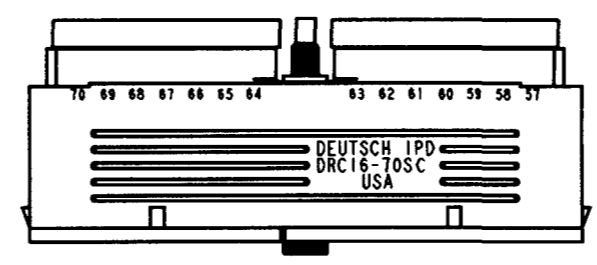
REVISIONS			
SYM	DESCRIPTION	DATE	APPROVED
	SEE SHEET 1	4-16-02	ROR



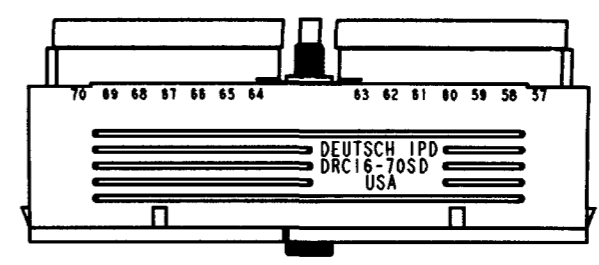
DRC16-70SA-P013
KEY: -A-



DRC16-70SB-P013
KEY: -B-



DRC16-70SC-P013
KEY: -C-



DRC16-70SD-P013
KEY: -D-

NOTES:

SIGNATURE & DATE	
DR	D. MEYER 04/15/02
CHK	<i>[Signature]</i> 4/15/02
PE	<i>[Signature]</i> 4/15/02
APPD	<i>[Signature]</i> 4-16-02
SCALE	NONE WT

PLUG
70 SIZE 16
KEYS: A, B, C, D
COLOR: BLACK
DRC SERIES
ENVELOPE

CP	MATL. CODE
The Deutsch Company DEUTSCH I.P.D. 3850 INDUSTRIAL AVE. HEMET, CALIF. 92545	
B	DRC16-70S*P013
DWG SIZE	CODE SHEET 2 OF 2